

whisper

tranquillity
bathroom collection



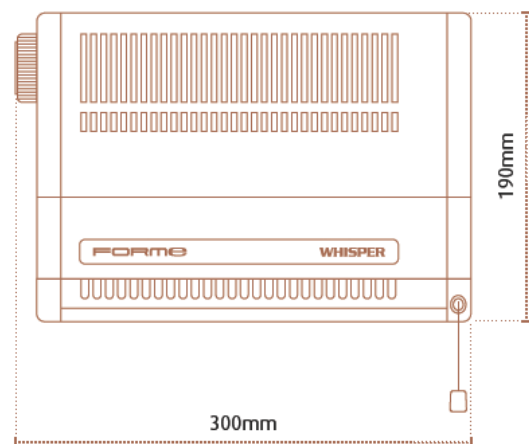
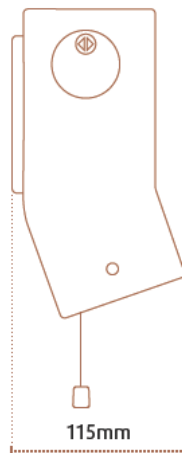
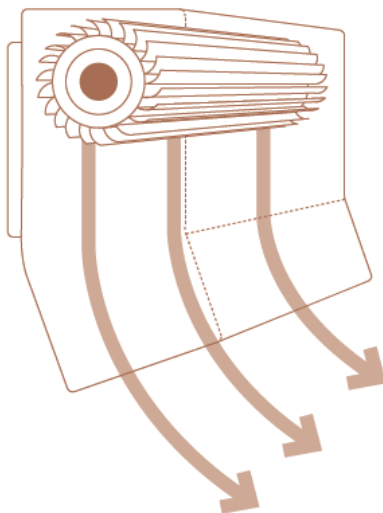
Product Code: BHC SS
300w x 190h x 115d mm

Features

- **Efficient Fan**
Tangential fan systems heat your bathroom faster and more efficiently than other fan systems
- **Reliability**
Proven safety & reliability with over 200,000 units sold
- **Extensive 2 year Warranty**
- **Adjustable Thermostat**
User adjustable thermostat – save power and set the heater to your desired comfort level in seconds.

Specifications

- Thermostatic control
- Pull-cord operation or hard-wired
- Power-on indicator
- Automatic safety cut-out
- Steel casing
- Fitted power supply cable
- Colour: White or Stainless Steel
- Class 1, 230-240V, 50Hz
- Fully earthed.



Mounting Height Clearances
Min. 1.8m from the floor
Min. 150mm above the heater

Additional Information

- 2 year in-home warranty
- 1800-2000W at 230-240Volts AC 50 Hz