

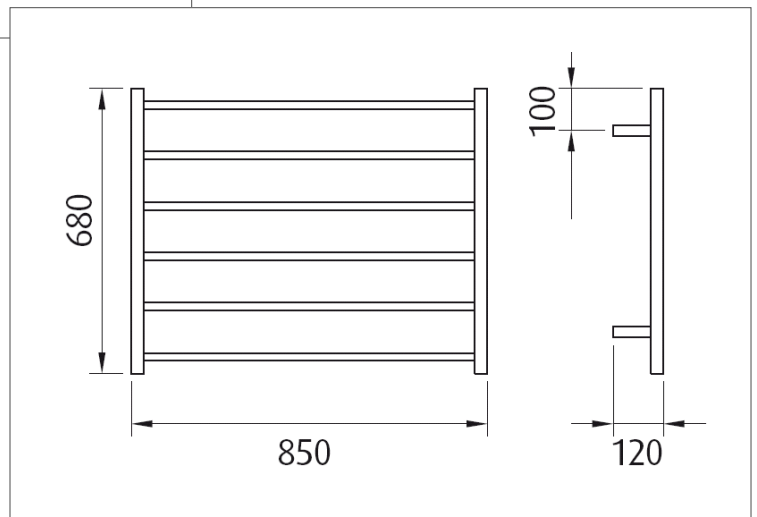
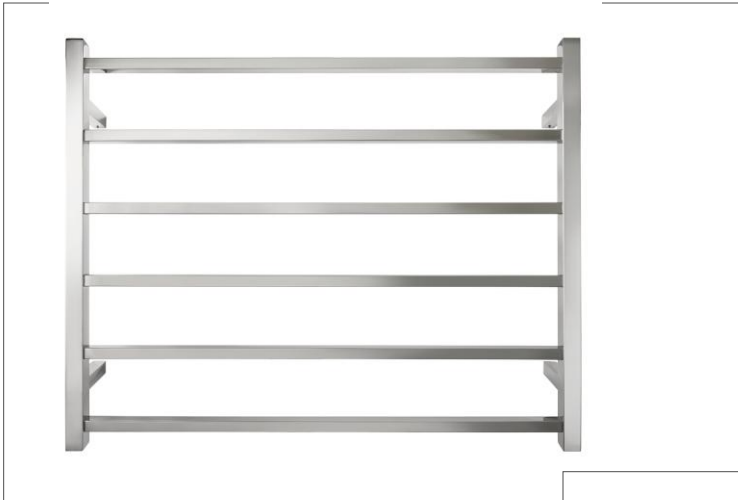
## Executive 6 bar - wide SQUARE

Product code : HTR-TS0602-LH/HTR-TS0602-RH

850 (w) x 680 (h) x 120 (d) mm

### Features:

- 6 bars
- Hand polished to a mirror finish
- High grade stainless steel
- Double insulated heating element and Class 1 fully earthed
- Concealed cable kit available on request
- Left and right hand cable options
- Easily installed into new or existing homes



Note: Manufacturing tolerances could cause variances of  $\pm 5$ mm.

### Additional Information

- 105 watts
- 230-240Volts, 50Hz
- 15 year warranty
- IP34 rating