

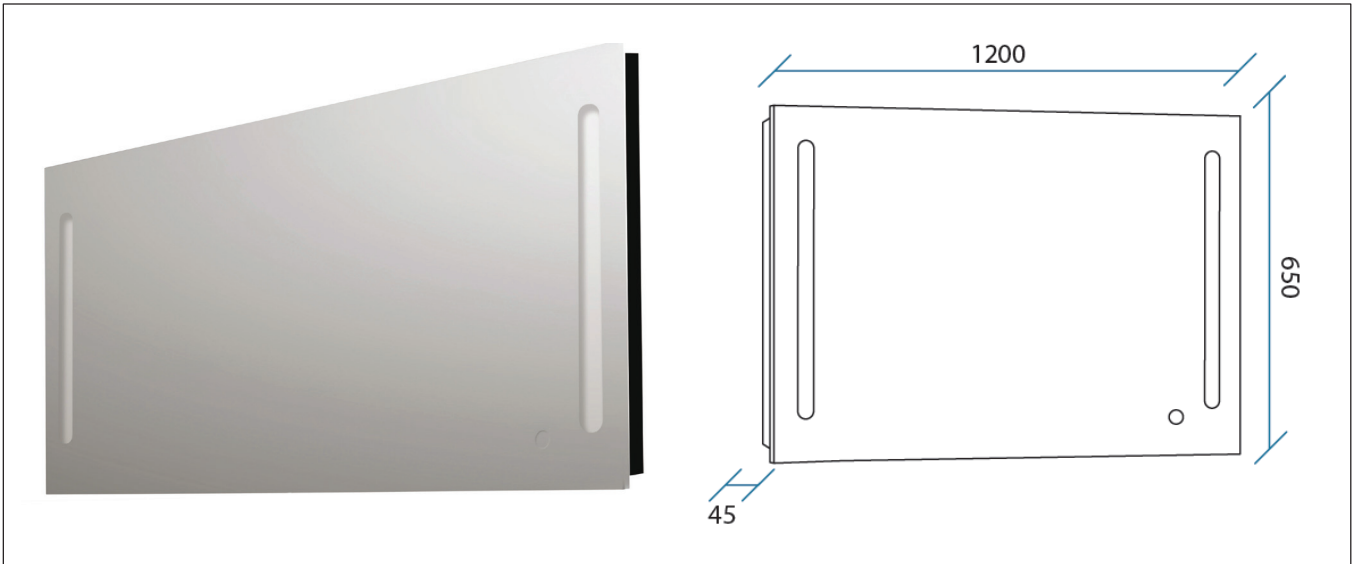
mlD heated mirrors (with light & demister)

Product code: MLD 1200

1200(w) x 650(h) x 45(d) mm

Features

Built-in Halogen light • Built in Demister • Available in 3 sizes • Electronic touch pad for on /off control • Hardwired only



A: Distance from the edge of the backplate to the centre of the bracket - **80mm**

C: Distance from the edge of the backplate to the centre of the bracket - **80mm**

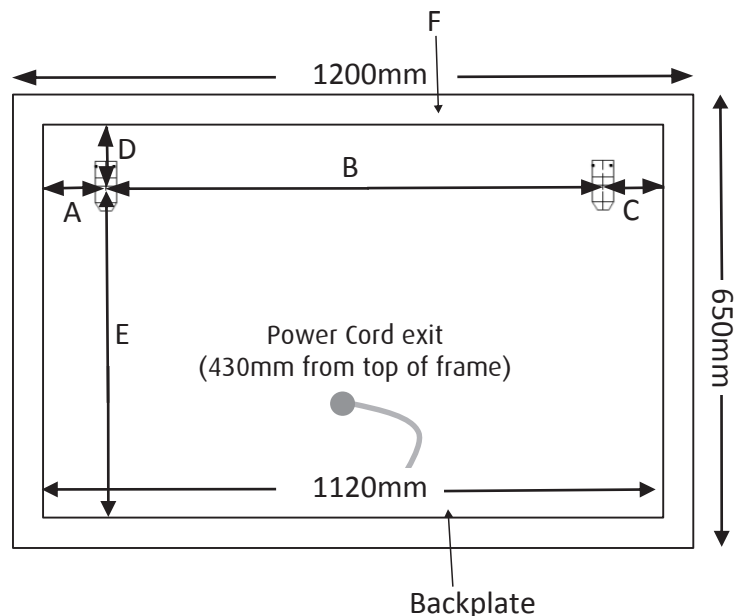
B: Distance between the 2 brackets - **960mm**

D: Distance from the top of the backplate to the centre of the bracket - **80mm**

E: Distance from the centre of the bracket to the bottom edge of the backplate - **490mm**

F: The space between the backplate and the mirror - **40mm**

Power Cord exit - **430mm** from top of mirror.



Additional information

- 2 year warranty
- 74 watts at 220-240 Volts AC 50 Hz