

Point drain TILE INSERT

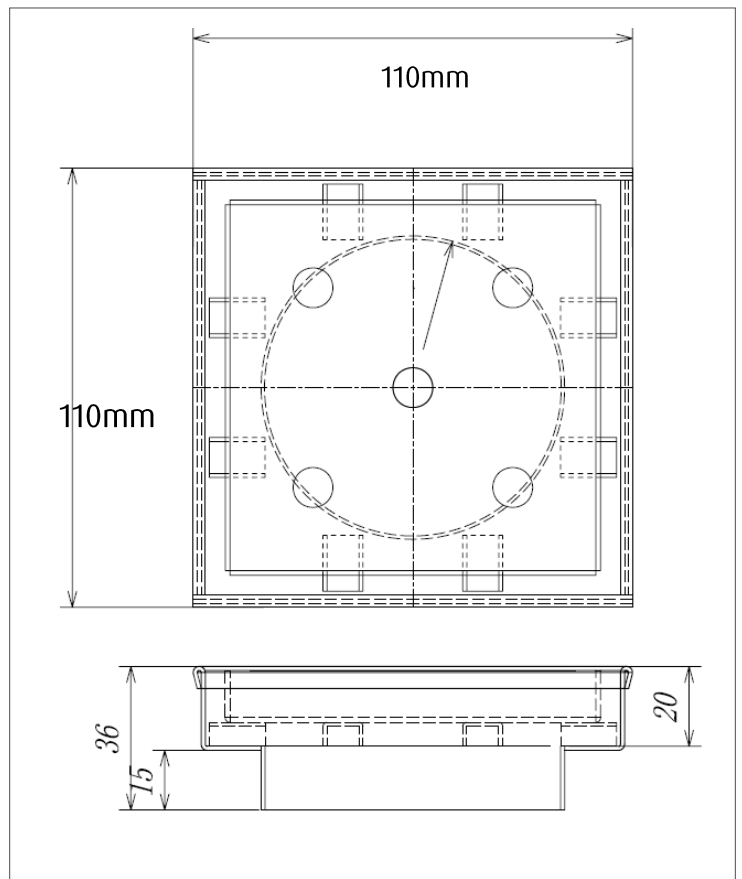
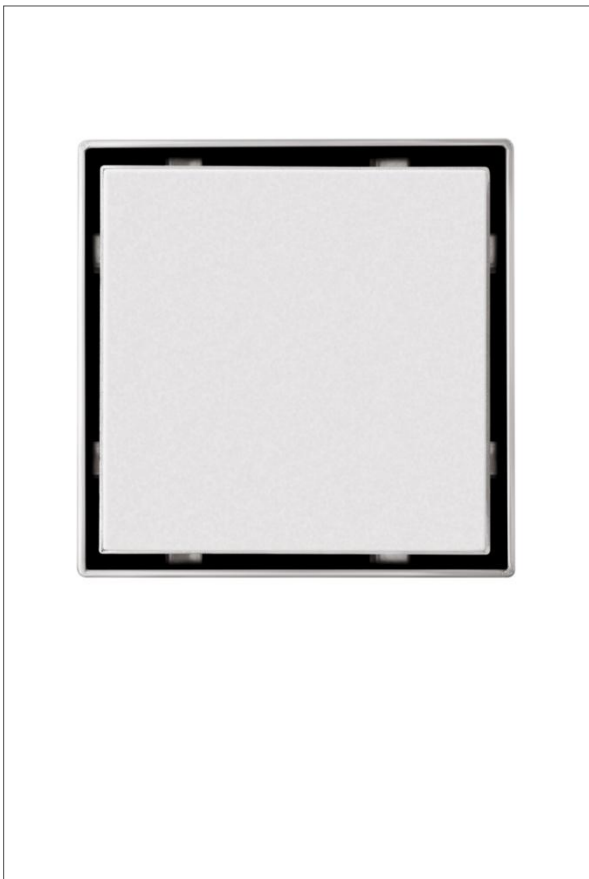
Product code : FD11XS65-T

110(w) x 110(h) x 21(d) mm

ø65mm outlet

Features

- Superior fall / centre outlet
- 316 Marine grade stainless steel
- Manufactured from high quality maintenance-free materials



Additional Information

- Available in 8 styles.
- Australian water mark approved certificate 23027