

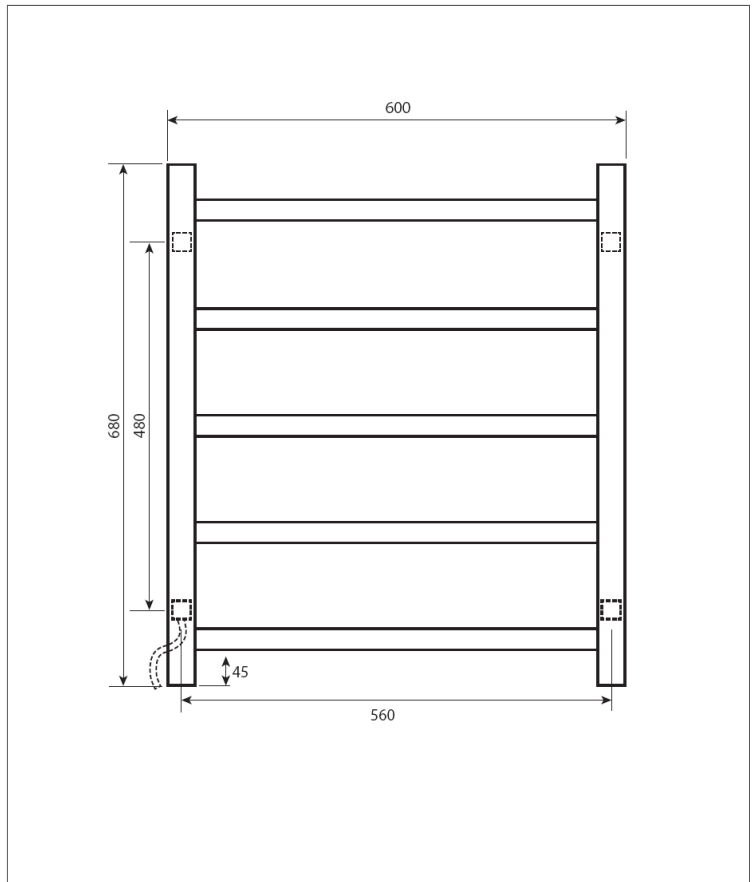
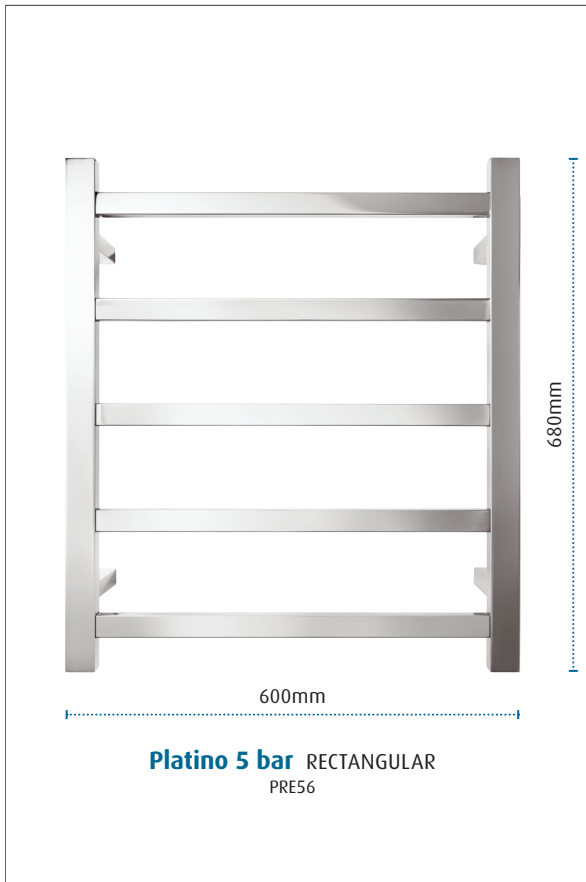
**Platino 5 bar RECTANGULAR**

Product code: PRE56

600(w)x 680(h)x120(d)mm

**Features:**

- 5 bars • Hand polished mirror finish • High grade stainless steel • Universal cable
- Concealed wiring kit included • Easily installed into new and existing homes.



Width centre: 560mm Vertical centre: 480mm

Note: Manufacturing tolerances could cause variances of ±5mm.



**Additional Information**

- 50watts
- 230-240Volts, 50Hz single phase
- Class 1 appliance – requires an earth connection
- This rail should be mounted vertically with the cord exiting from the base.
- It should be positioned at least 600mm above the floor.
- Ingress Protection Rating: IP45- Splashproof