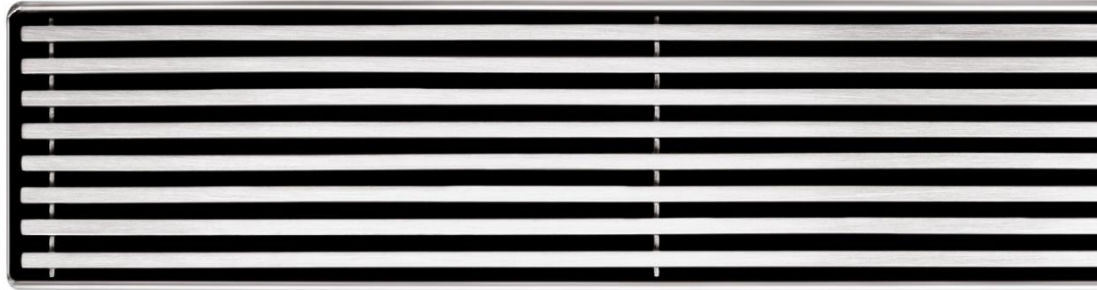


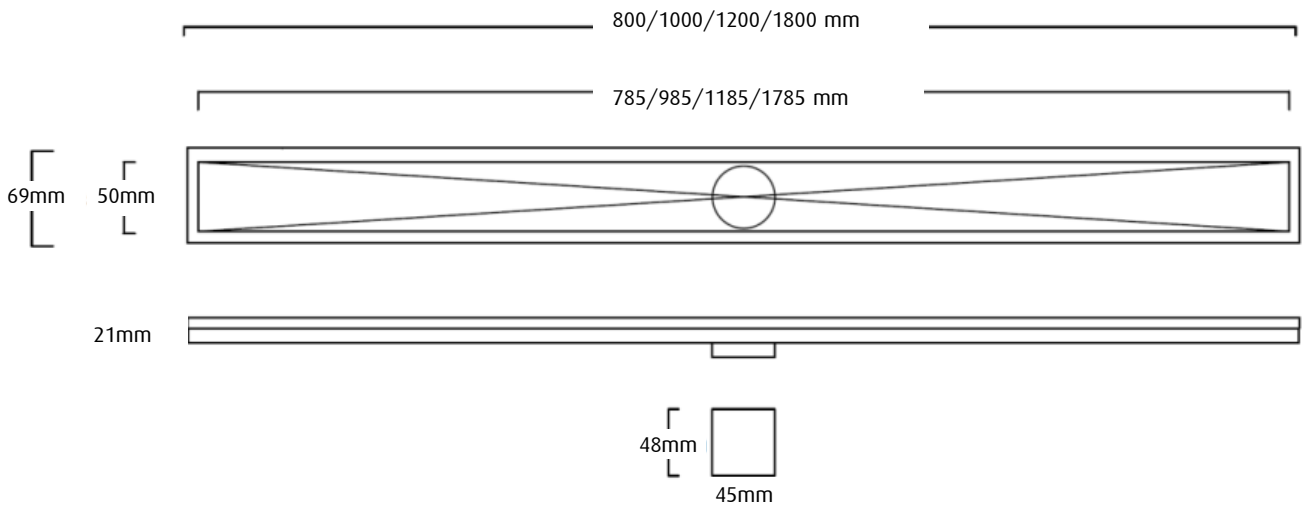
Channel drain MESH

Product Code: FDM 800 / FDM 1000 / FDM 1200 / FDM 1800
800/1000/1200 /1800 (l) x 69(w) x 21(d) mm \varnothing 45mm

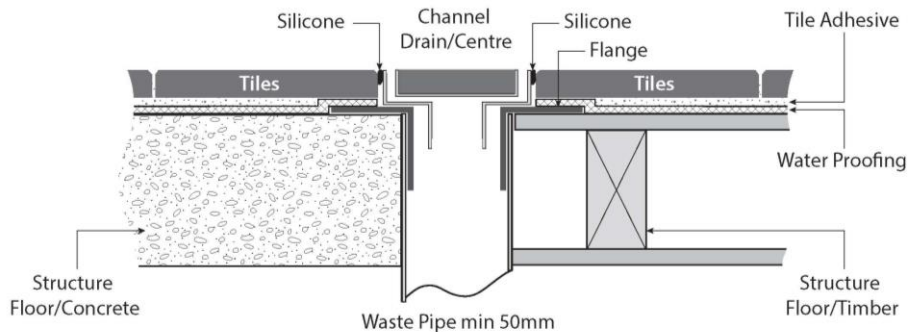
Features: Superior fall/centre outlet • 316 grade stainless steel • Manufactured from high-quality maintenance-free materials



Drawing



Installation Diagram



Additional Information

- 5 year warranty