

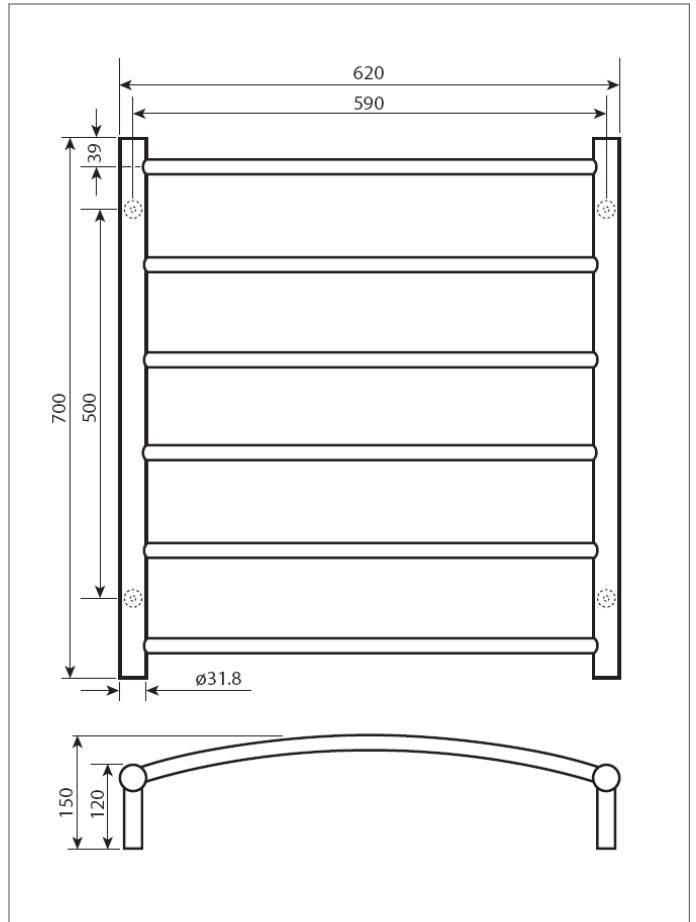
Manhattan 6 bar ROUND

Product code : MC6

620 (w) x 700 (h) x 150 (d) mm

Features:

- 6 bars
- Hand polished mirror finish
- High grade stainless steel
- Universal cable
- Polished stainless steel end caps
- Concealed wiring kit included



Note: Manufacturing tolerances could cause variances of ±5mm.

Additional Information

- 60 watts
- 230-240Volts, 50Hz single phase
- Class 1 appliance – requires an earth connection
- This rail should be mounted vertically with the cord exiting from the base.
- It should be positioned at least 600mm above the floor.
- Ingress Protection Rating: IP34 – Splashproof