

## Channel drain TILE INSERT

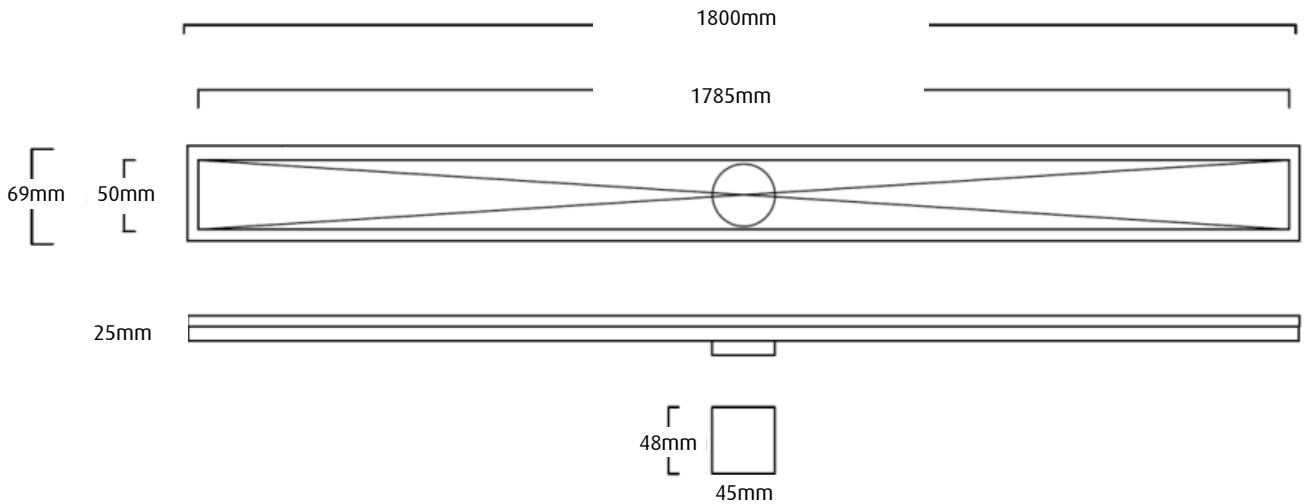
Product Code: FDT1800

1800(l) x 69(w) x 25(d) mm  $\varnothing$ 45mm

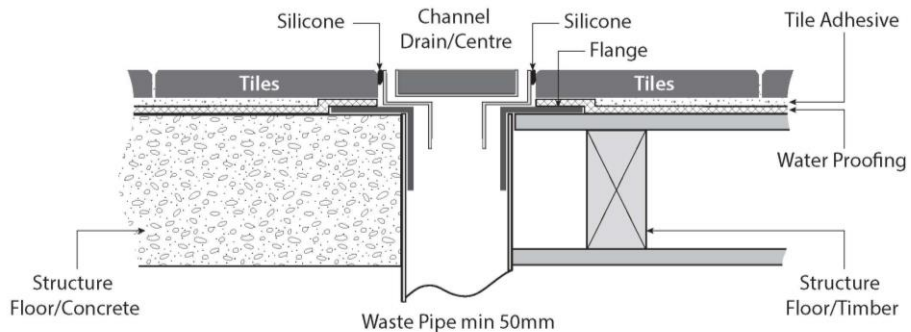
Features: Superior fall/centre outlet • 316 grade stainless steel • Manufactured from high-quality maintenance-free materials



### Drawing



### Installation Diagram



### Additional Information

- 5 year warranty