

Channel drain TILE INSERT

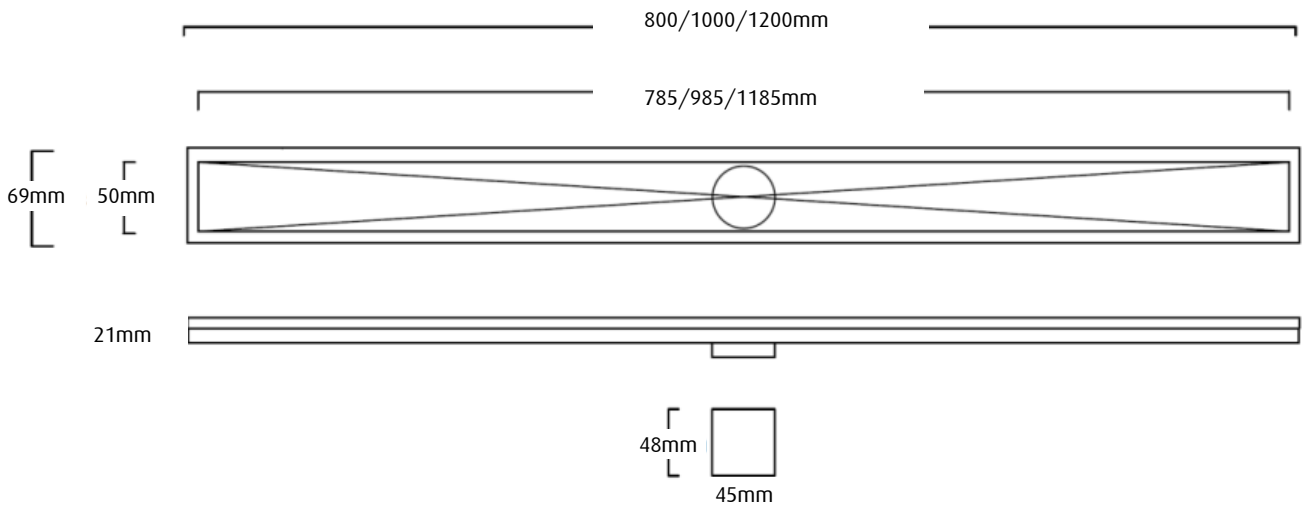
Product Code: FDT 800 / FDT 1000 / FDT 1200

800/1000/1200 (l) x 69(w) x 21(d) mm \varnothing 45mm

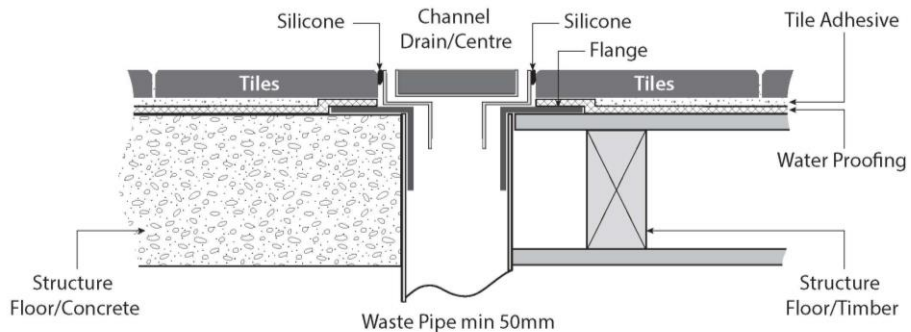
Features: Superior fall/centre outlet • 316 grade stainless steel • Manufactured from high-quality maintenance-free materials



Drawing



Installation Diagram



Additional Information

- 5 year warranty