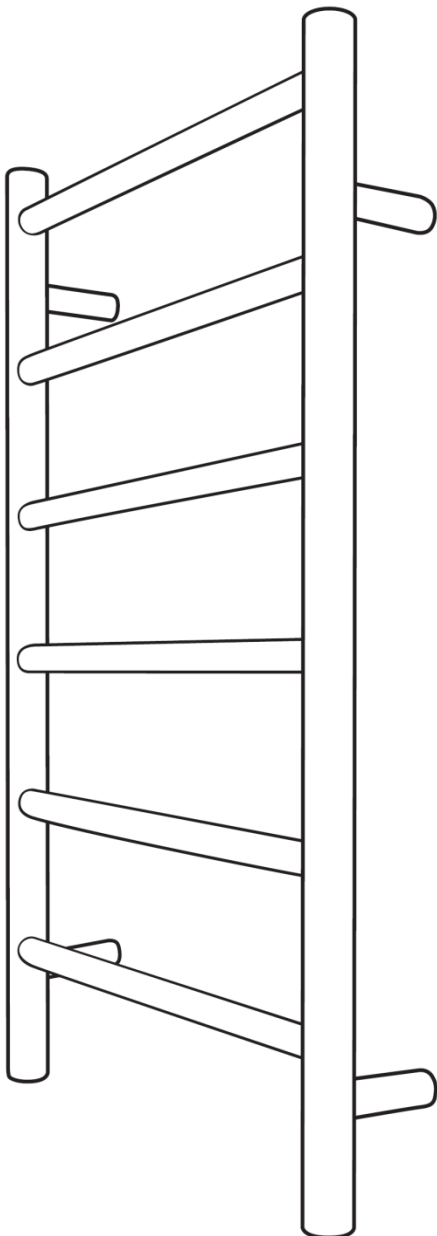


jersey round / square installation instructions

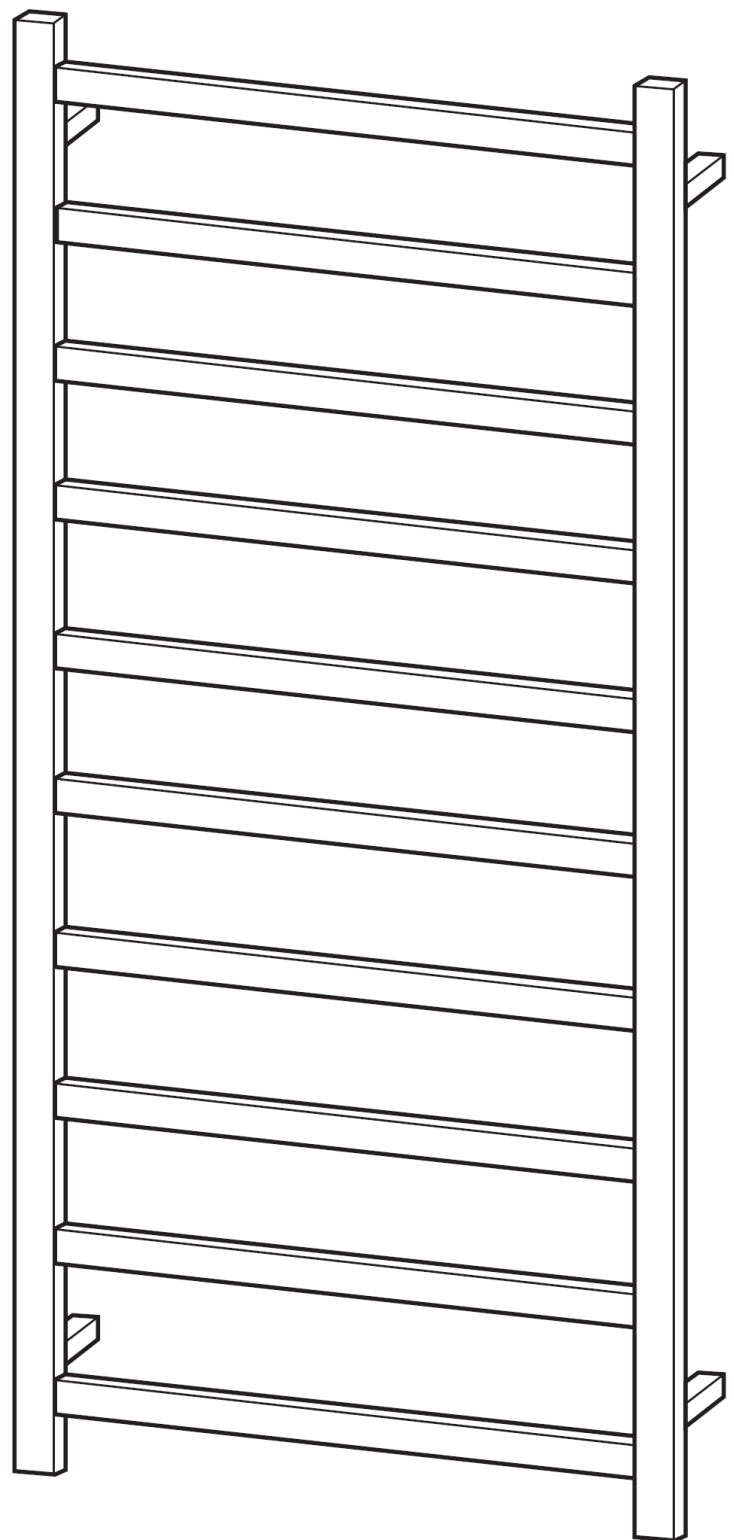
round

(3, 4, 6 & 9 bar)



square

(4, 7 & 10 bar)



Installation Instructions

Please note that this appliance must be installed as prescribed by the relevant wiring rules and regulations, including the regulations covering installation of appliances and accessories in 'wet areas' such as bathrooms, showers and laundries. Installations should be in accordance with AS/NZS 3000:2007.

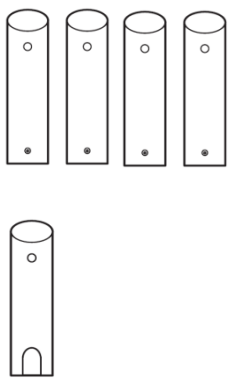
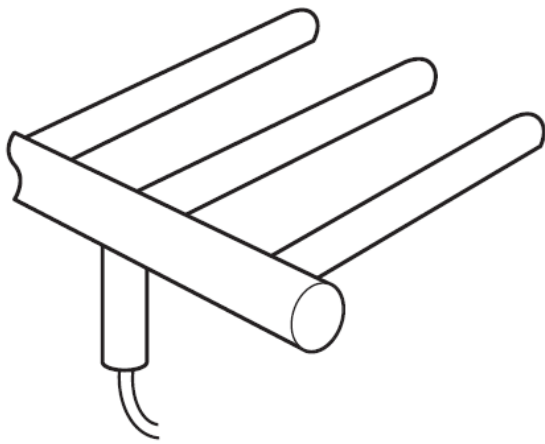
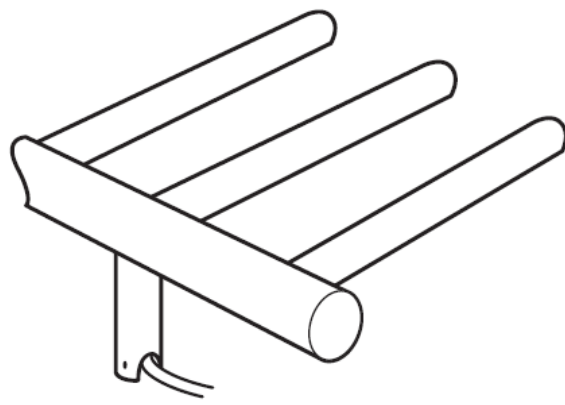
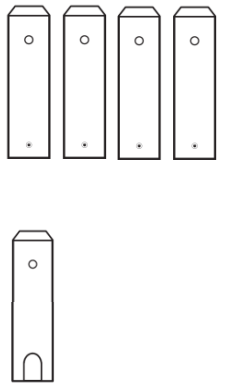
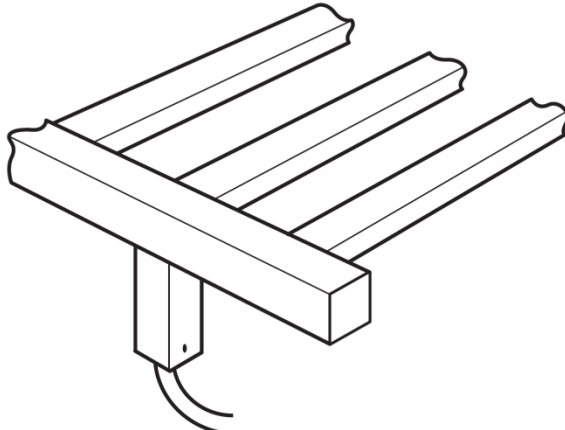
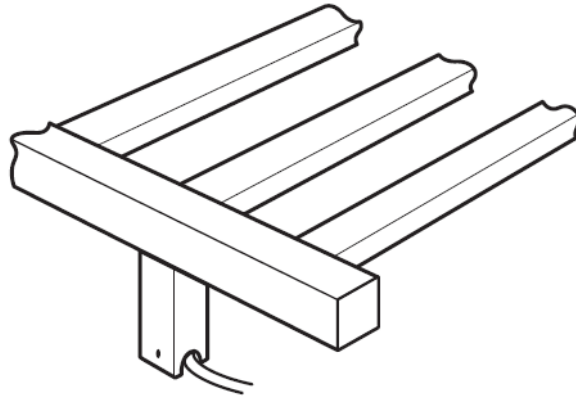
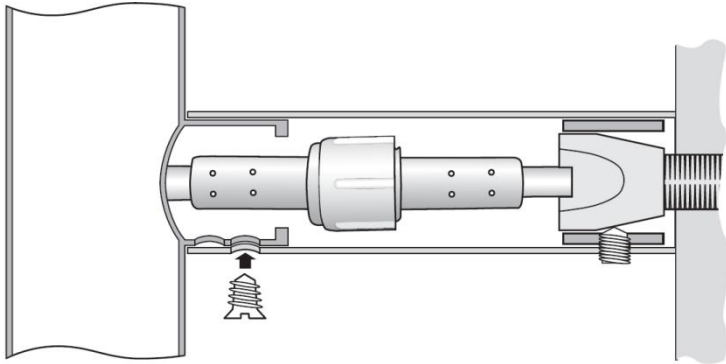
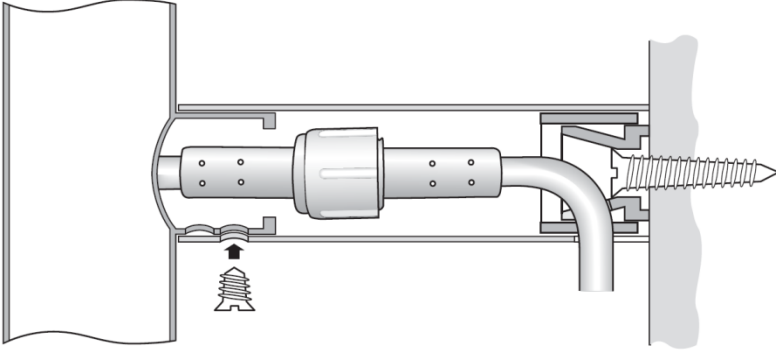
Note :

- This class 1 appliance requires an earth connection.
- An accessible all pole disconnection switch is required in the fixed wiring.

The heated towel rail should be mounted vertically with the cord exiting from the base; it should be positioned at least 600mm above the floor.

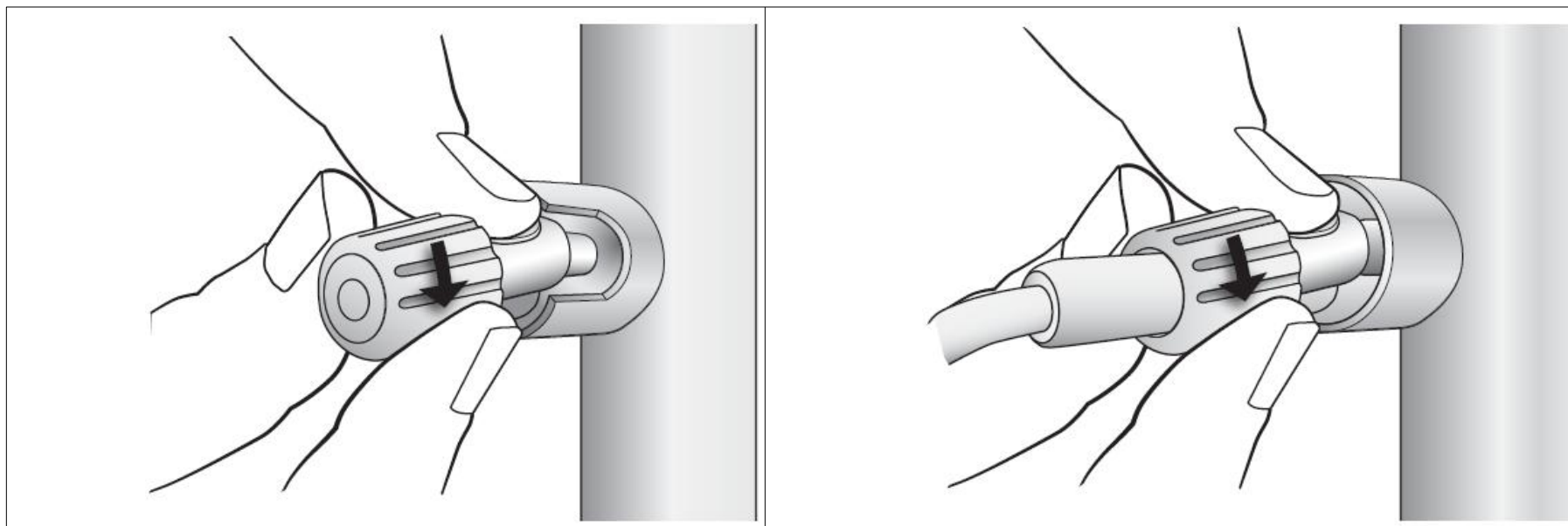
Recommended mounting procedures

1. Select the method of cord entry required – whether exposed or concealed.

	Concealed cord entry to be used where no existing outlet is present.	Exposed cord entry to be used where an existing permanent connection outlet is already wired.
Round 		
Square 		
		

Recommended mounting procedures (cntd)

2. Select which side of the towel rail needs to be wired in. Depending on the location of existing wiring through or on the wall you can decide which side you will use.



3. Select a desired position to mount the towel rail i.e. at least 600mm above the floor and 300mm away from all permanent objects in the surrounding area.
4. Using a pencil, draw around the end of each tube to mark their positions on the wall ensuring that the rail is square on the wall.
5. Screw the mounting inserts securely to the wall at the locations marked.
6. Press the towel rail onto the mounting inserts gradually, checking that each leg is lined up with the mounting inserts before applying force.
7. Mount the towel rail with a single grub screw on each of the 4 brackets as shown in the drawing.

Safety information

As with any electrical appliance, you should be aware of basic safety precautions when using this heated towel rail. Please read these instructions, and file them for future reference:

- Because this appliance gets hot, young children and infirm people should be closely supervised when nearby. Do not let young children treat the towel rail as a toy.
- Special purpose tools are required for the replacement of the power supply cord and element.
- Be aware that the towel rail will get slightly hotter than normal during warmer weather and when insulated by towels.
- The rail should NOT be used for anything other than its intended use.
- Do not put the towels or anything else which has been in contact with hazardous liquids on this towel rail.
- Use this appliance only on the voltage specified on the rating label.
- Electrical work to be performed by a registered electrician.
- Do NOT immerse the towel rail in any liquid.
- Make sure the supply cord never touches heated surfaces.
- Ensure that the towel rail is wiped down from time to time with a damp cloth and a stainless steel cleaner. Do not use any abrasives or corrosive cleaners.
- If the electrical cord or connection is damaged DO NOT attempt to repair; please contact the supplier.

WARNING: DO NOT install towel rails in areas which may be subjected to saturation of water resulting in ingress of moisture. It is recommended that all units are protected via a R.C.D(Residual Current Device) circuit.

Operation:

It will take about ¾ hour to heat up to the desired temperature and can, if desired, be left running constantly.

Specifications

	ROUND				SQUARE		
Code	ER3	ER4	ER6	ER9	MS4	MS7	MS10
Height	440mm	500mm	780mm	1200mm	500mm	920mm	1340mm
Width	550mm	550mm	600mm	600mm	620mm	620mm	620mm
Depth	120mm	120mm	120mm	120mm	120mm	120mm	120mm
Bars	3	4	6	9	4	7	10
Electrical							
Wattage	30W	40W	60W	90W	40W	80W	110W
Supply 230-240V ~ 50Hz, single phase Class 1 – requires earth connection.							

Product warranty

Any heated towel rail that is found to be defective due to substandard materials and/or workmanship within **5** years of purchase, will be replaced. To make a claim under this warranty, contact the store where you purchased your product.

Your claim will be assessed based on the information you provide. You will be required to return the defective product for assessment at your cost. This warranty does not cover any installation or removal costs. The benefits given by this warranty are additional to other rights and remedies that you may have under laws relating to our products.

The benefits given by this warranty are additional to other rights and remedies that you may have under laws relating to our products. Our goods come with guarantees that cannot be excluded under the New Zealand/Australian Consumer Law. You are entitled to a replacement or refund for a major failure and for compensation for any other reasonably foreseeable loss or damage. You are also entitled to have the goods repaired or replaced if the goods fail to be of acceptable quality and the failure does not amount to a major failure.

- The warranty does not extend to any consequential loss, damage, misuse, neglect, alteration or incorrect installation.
- Items that have been cleaned with anything other than a stainless steel cleaner, will not be replaced.
- Attach your proof of purchase and keep in a safe place with this warranty form. You must have your proof of purchase for your warranty to be valid.