

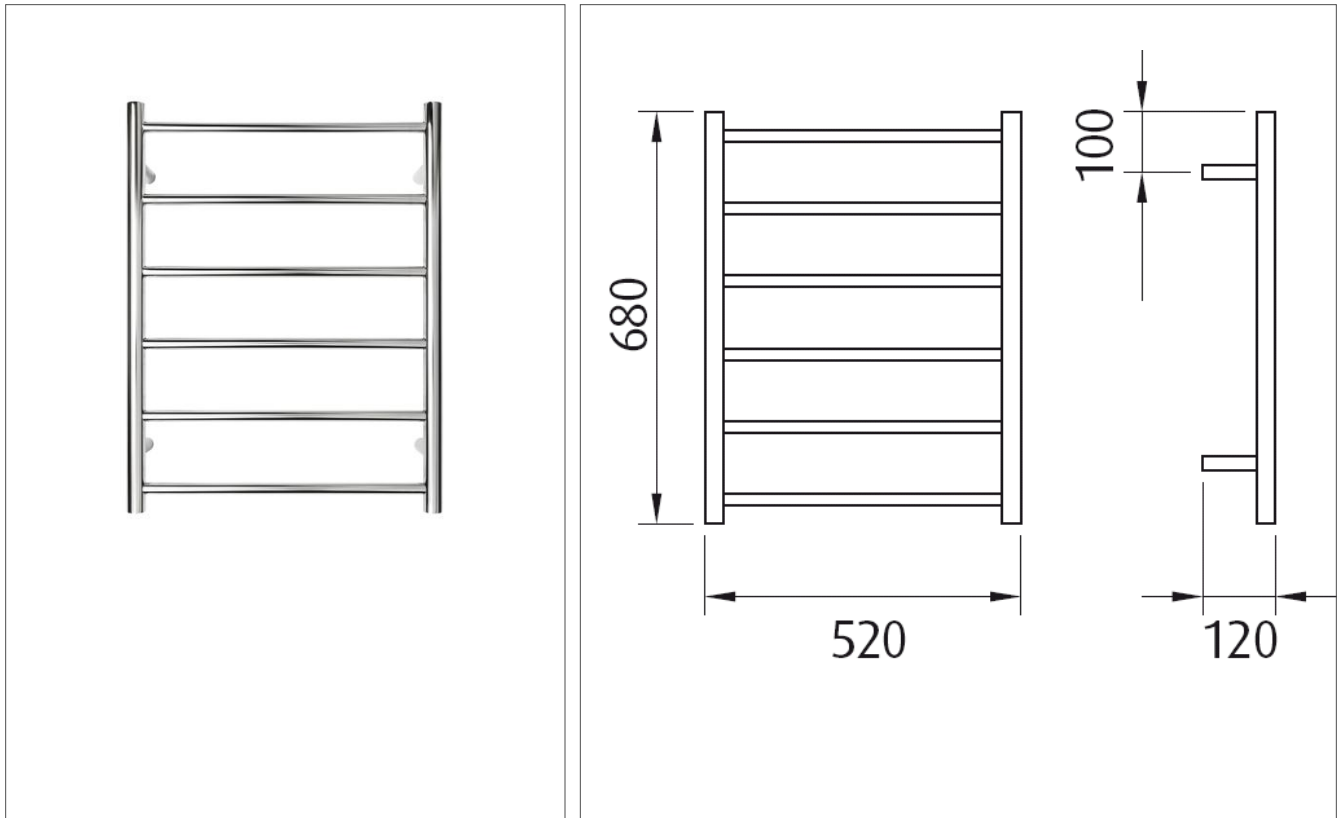
Executive 6 bar ROUND

Product code : HTR-TR0601-LH/HTR-TR0601-RH

520 (w) x 680 (h) x 120 (d) mm

Features:

- 6 bars • Hand polished to a mirror finish • High grade stainless steel • Double insulated heating element and Class 1 fully earthed • Concealed cable kit available on request
- Left and right hand cable options • Easily installed into new or existing homes



Note: Manufacturing tolerances could cause variances of ±5mm.

Additional Information

- 65 watts
- 230-240Volts, 50Hz
- 15 year warranty
- IP34 rating